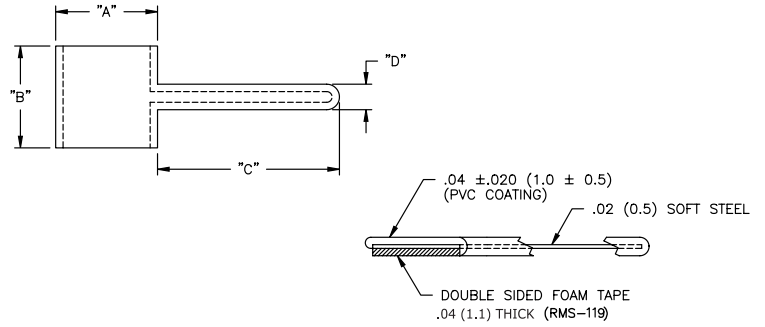
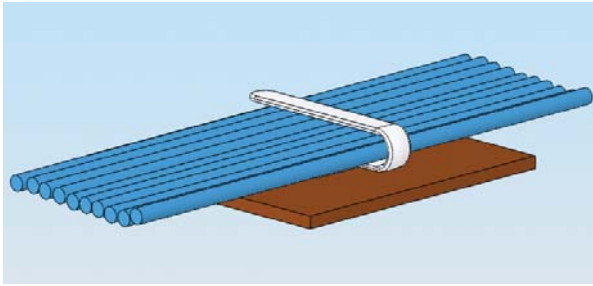


## PCC

### Steel Clamp with Vinyl Coating, Adhesive Base



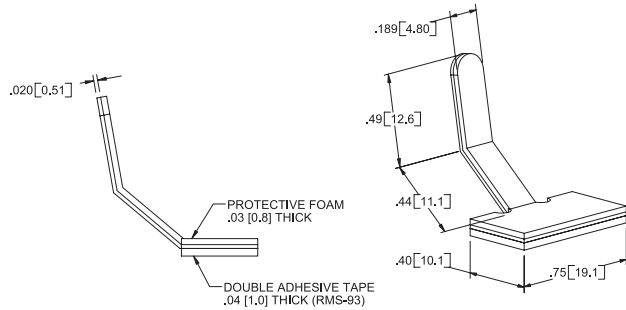
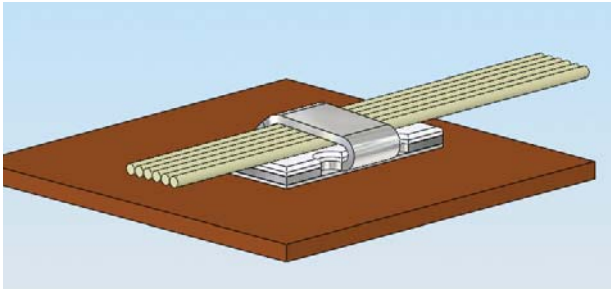
#### Features

- PVC coating protects and insulates wires and components
- Flexible arm holds flat, round or oddly shaped components

Material: PVC Coating, RMS-118, on Soft Steel • Color: White				
Part No.	Standard Pack: 200 per bag			
	"A" Ref.	"B" ±.020 (0.5)	"C" Ref.	"D" Ref.
PCC-5	.31 (7.9)	.31 (7.9)	.59 (15.0)	.08 (2.0)
PCC-9	.55 (14.0)	.55 (14.0)	.98 (24.9)	.14 (3.6)
PCC-12	.75 (19.1)	.75 (19.1)	1.58 (40.1)	.16 (4.1)

## PFC-25M

### Plastic Coated Aluminum Clamp, Foam Coated, Adhesive Base



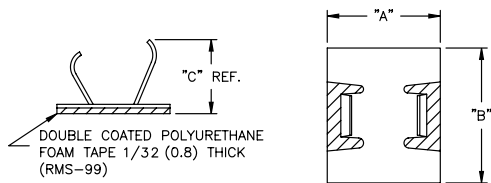
#### Features

- Foam on the inside of clamp protects cables and fibers

Material: Aluminum, Gray coated, RMS-194 • Color: Gray	
Standard Pack: 1000 per bag	

## ASK

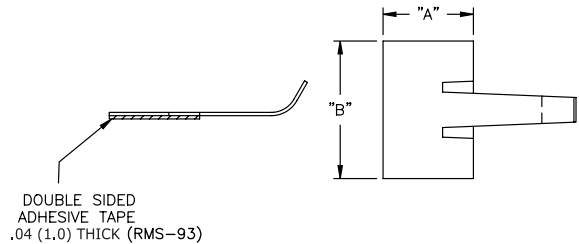
### Aluminum Clamp on Adhesive Base



Material: Aluminum; Bright Finish • Color: Silver				
Part No.	Standard Pack: 250 per box			
	"A"	"B"	"C"	Max Bundle Dia.
ASK-3	.42 (10.7)	.62 (15.7)	3/8 (9.5)	15/64 (6.0)
ASK-6	.62 (15.7)	.74 (18.8)	9/16 (14.3)	3/8 (9.5)

## RAK

### Aluminum Clamp on Adhesive Base



Material: Aluminum; Bright Finish Color: Silver			
Part No.	Standard Pack: 250 per box		
	"A"	"B"	Max Bundle Dia.
RAK-1	.44 (11.2)	.67 (17.0)	.23 (5.8)
RAK-2	.64 (16.3)	.76 (19.3)	.38 (9.7)